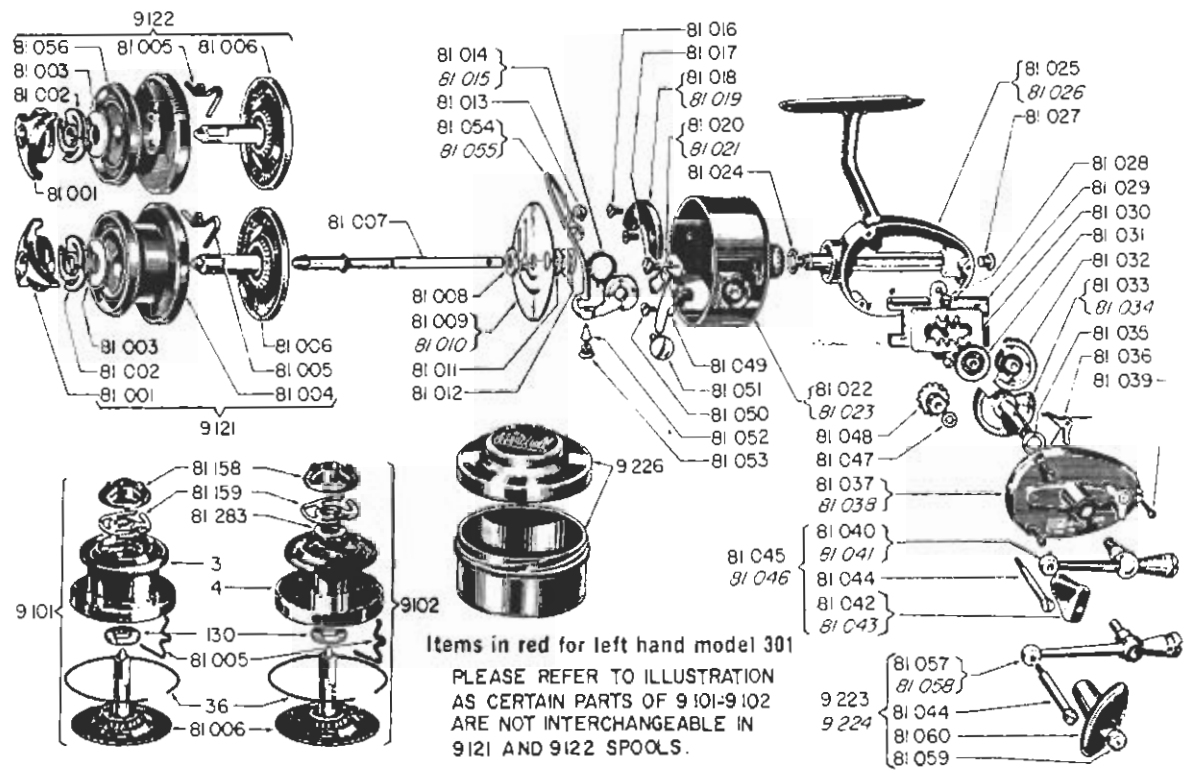


Garcia MITCHELL 300-301



Prices subject to change without notice

*Use only the number of shims required for smoothest performance

No.	Part Name	Price	No.	Part Name	Price	No.	Part Name	Price
3	Spool Shell, Small (9101)	1.25	81013 (47)	Bail Screw No. 2	.15	81040 (90)	Handle Shank (300)	1.25
4	Spool Shell, Large (9102)	1.85	81014 (43)	Bail Spring (300)	.15	81041 (90L)	Handle Shank (301)	1.25
36	Line Clip (9101) (9102)	.10	81015 (43L)	Bail Spring (301)	.15	81042 (56)	Handle Knob (300)	.25
130	Teflon Base Washer (9101) (9102)	.10	81016 (97)	Counterweight Screw (ea.)	.10	81043 (56L)	Handle Knob (301)	.25
9121 (113)	Spool Complete Small, less container	2.75	81017 (45)	Trip Lever Screw	.10	81044 (57)	Handle Knob Screw	.10
9122 (114)	Spool Complete Large, less container	2.75	81018 (96)	Counterweight (300)	.45	81045 (16B)	Handle Complete, Standard (300)	1.50
9223 (849)	Accessory Handle, Torpedo Knob (300)	2.25	81019 (96L)	Counterweight (301)	.45	81046 (16LB)	Handle Complete, Standard (301)	1.50
9224 (849L)	Accessory Handle, Torpedo Knob (301)	2.25	81020 (42)	Trip Lever (300)	.25	*81047 (51)	Shims To Adjust Pinion Gear (set of 2)	.20
9226	Spool Container	.60	81021 (42L)	Trip Lever (301)	.25	81048 (26)	Pinion Gear	.65
9231	Combination Tool	1.10	81022 (39)	Rotating Head (300)	3.50	81049 (44)	Trip Lever Spring	.10
81001 (112)	Drag Adjusting Knob (9121) (9122)	.25	81023 (39L)	Rotating Head (301)	3.50	81050 (50)	Trip Lever Spring Screw	.05
81002 (111)	Brake Spring (9121) (9122)	.30	*81024 (49A)	Shims To Adjust Head and Housing (set of 3)	.30	81051 (46)	Bail Screw No. 1	.20
81003 (135)	Teflon Drag Washer (9121) (9122)	.10	81025 (34)	Housing (300)	3.50	81052 (13)	Line Guide	.75
81004 (110)	Spool Shell, small (9121)	1.10	81026 (34L)	Housing (301)	3.50	81053 (12)	Line Guide Screw	.10
81005 (388)	Click Spring	.10	81027 (15)	Lube Port Screw	.10	81054 (40)	Bail (300)	2.50
81006 (6)	Spindle	1.00	81028 (28)	Oscillation Guide Screw (ea.)	.05	81055 (40L)	Bail (301)	2.50
81007 (7)	Axle	.75	81029 (29)	Oscillation Guide	.30	81056 (109)	Spool Shell, Large (9122)	2.00
81008 (35)	Hex Nut	.10	81030 (27)	Oscillation Slide	.45	81057 (85)	Handle Shank (300) (9223)	1.50
81009 (41)	Baffle Plate (300)	.40	81031 (30)	Pivot Gear	.45	81058 (85L)	Handle Shank (301) (9224)	1.50
81010 (41L)	Baffle Plate (301)	.40	81032 (31)	Transfer Gear	.45	81059 (107)	Knob Lube Port (9223) (9224)	.10
81011 (48)	Baffle Plate Washer	.10	81033 (25)	Drive Gear (300)	1.25	81060 (84)	Handle Knob (9223) (9224)	.50
*81012 (49B)	Shims to Adjust Head and Baffle Plate (set of 3)	.30	81034 (25L)	Drive Gear (301)	1.25	81158 (1)	Drag Adjusting Knob (9101) (9102)	.20
			*81035 (54)	Shims To Adjust Drive Gear (Optional) (set of 2)	.20	81159 (2)	Brake Spring (9101) (9102)	.25
			81036 (24)	Anti Reverse Dog	.25	81283 (5)	Fibre Drag Washer (9102)	.10
			81037 (32)	Cover Plate (300)	2.50			
			81038 (32L)	Cover Plate (301)	2.50			
			81039 (14)	Cover Screw (ea.)	.10			

PARTS AND SERVICE AVAILABLE AT THE FOLLOWING REGIONAL FACTORY REPAIR DEPOT

REEL SERVICE AND PARTS SHERMAN LOYD SALES COMPANY 4737 GREENVILLE AVENUE DALLAS, TEXAS 75206	HARRY C. MILLER CO., INC. 257 PARK AVENUE SOUTH NEW YORK, NEW YORK 10010	NATE BUELL SERVICE CORPORATION 5013 N. E. 42ND STREET PORTLAND, OREGON 97218
ROOS, REELS AND PARTS SERVICE THE GARCIA SERVICE DEPARTMENT 329 ALFRED AVENUE TEANECK, NEW JERSEY 07666	THE CONOLON CORPORATION 1111 EAST McFADDEN STREET SANTA ANA, CALIFORNIA 92705	SILICOTE SALES DIVISION 520 WEST 14th AVENUE OSHKOSH, WISCONSIN 54902
		J. K. CLARK COMPANY ACO SPORTSMEN SERVICE 13501 VAN DYKE DETROIT, MICHIGAN 48234