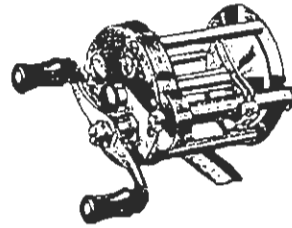


Akron

No. 1893-1893L

No. 1894-1894L (Discontinued)

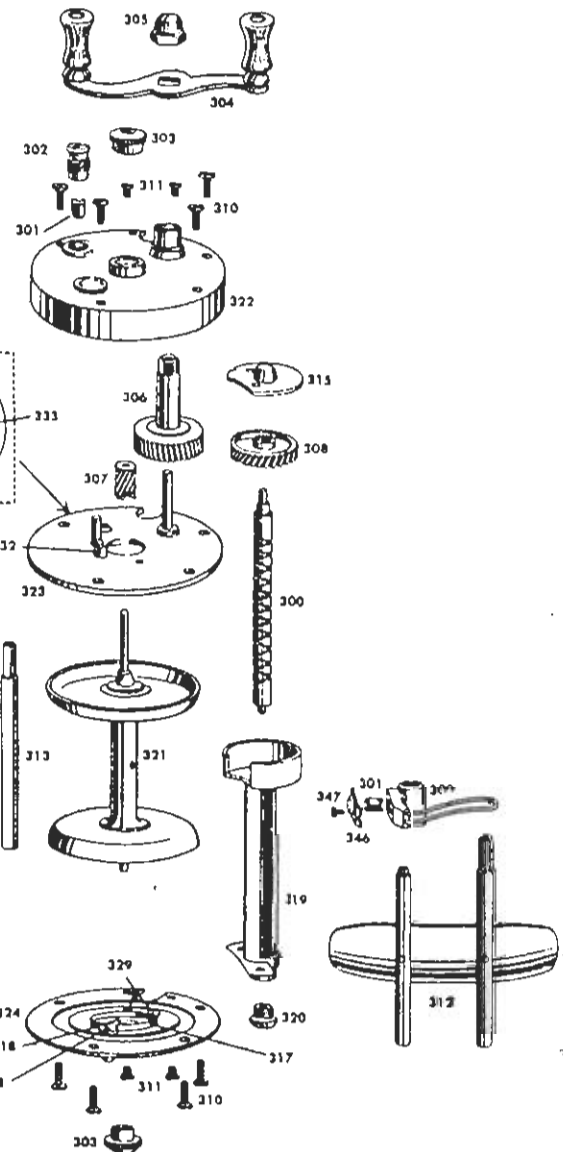


AKRON — 1893-1893L

Part No.	Part Name	Price Each
300	Double Thread Shaft	\$.75
301	Half Nut or Pawl	.20
302	Half Nut Receptacle	
	Cover	.18
303	Oil Cup	.40
304	Crank	.90
304L	Crank	.90
305	Crank Nut	.20
306	Gear—Spiral Tooth	.75
307	Spool Pinion—Spiral Tooth	.60
308	Shaft Pinion—Spiral Tooth	.45
309	Line Guide	.95
310	Cap and Back Plate	
	Pillar Screw	.05
311	End Plate and Carriage	
	Tube screw	.04
312	Crossplate	1.25
313	Plain Pillar	.25
314	Line Guide Pillar	.35
315	Housing End Plate	.45
316	Click Button	.10
317	Click Spring	.15
318	Click Tongue	.10
319	Carriage Tube	1.55
320	Retainer Screw	.20
321L	Spool	2.10
321	Spool	2.10
322	Front Cap	1.65
322L	Front Cap	1.65
323	Front Plate	1.15
324	Back Plate	1.35
328	Click Tongue Rivet	.05
329	Click Spring Rivet	.05
330	A.B.L. Spring	.10
332	A.B.L. Push Pin	.05
333	A.B.L. Fibre Shoe	.15
346	Half Nut Cover	.08
347	Half Nut Cover Screw	.03
*363	Felt Oiler for Oil Cup and Handles	.02

AKRON — 1894-1894L (Discontinued)

Part No.	Part Name	Price Each
900	Double Thread Shaft	\$.75
901	Half Nut or Pawl	.20
902	Half Nut Receptacle	
	Cover	.18
903	Oil Cup	.40
904	Crank	.90
904L	Crank	.90
905	Crank Nut	.20
906	Gear—Spiral Tooth	.75
907	Spool Pinion—Spiral Tooth	.60
908	Shaft Pinion—Spiral Tooth	.45
909	Line Guide	1.05



AKRON PARTS ASSORTMENT

Quantity	Part
6 only	300 Double Thread Shafts
24 only	301 Half Nuts
3 only	303 Oil Cups — Jeweled
1 only	304 Crank
2 only	305 Crank Nuts
4 only	306 Gears
6 only	307 Spool Pinions
2 only	308 Shaft Pinions
2 only	308 L Shaft Pinion
2 only	309 Line Guide
12 only	310 Cap and Pillar Screws
6 only	311 Housing Screws
6 only	320 Shaft Retainer Screws
3 only	346 Half Nut Receptacle Covers
6 only	347 Half Nut Cover Screws

910	Cap and Back Plate	.05
911	End Plate and Carriage	
	Tube screw	.04
912	Crossplate	1.25
913	Plain Pillar	.25
914	Line Guide Pillar	.35
915	Housing End Plate	.45
916	Click Button	.10
917	Click Spring	.15
918	Click Tongue	.10
919	Carriage Tube	1.55
920	Retainer Screw	.20
921	Spool	2.30
921L	Spool	2.30
922	Front Cap	1.75
922L	Front Cap	1.75
923	Front Plate	1.20
924	Back Plate	1.50
928	Click Tongue Rivet	.05
929	Click Spring Rivet	.05
930	A.B.L. Spring	.10
932	A.B.L. Push Pin	.05
933	A.B.L. Fibre Shoe	.15
946	Half Nut Cover	.08
947	Half Nut Cover Screw	.03
*963	Felt Oiler for Oil Cup and Handles	.02

*These parts not shown on drawing.
A.B.L.—Anti-Backlash.